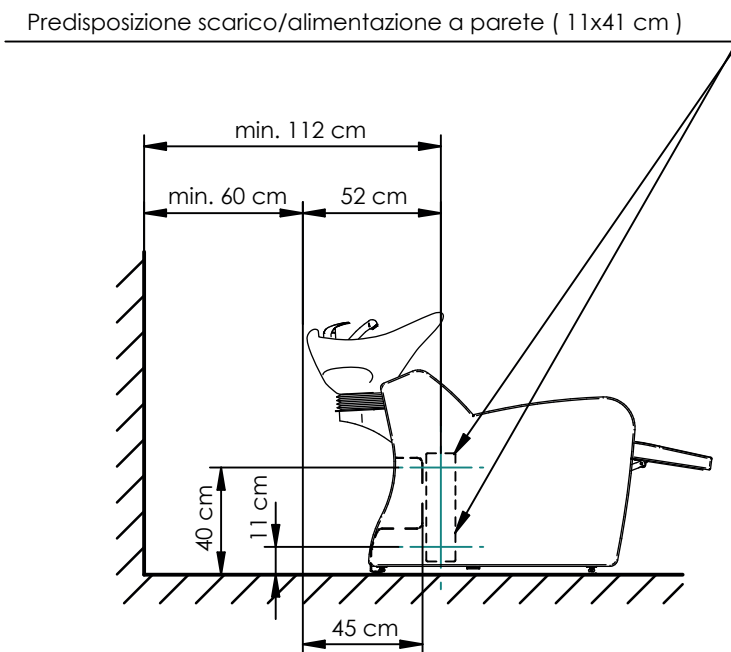
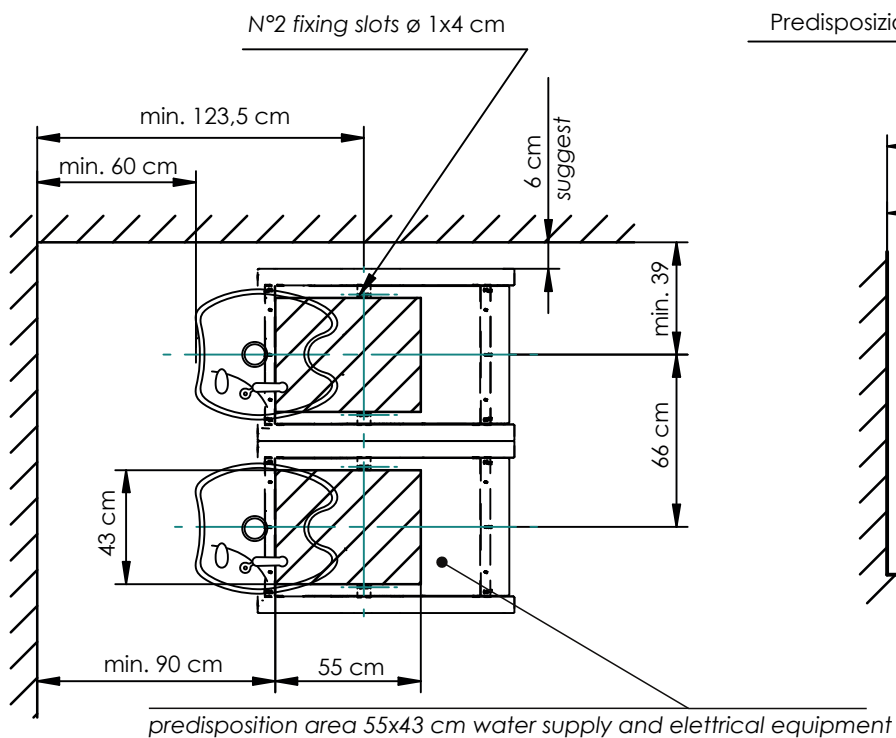


INSTALLATION PLAN



Disposition water supply and electrical equipment



- 1 = Warm 3/8"
- 2 = Cold 3/8"
- 3 = Drain ø 4 cm
- 4 = Electric cables outlet

cable 3x1 (60 cm)
220/240 V - 50 Hz/60 Hz



WARNING !

All the dimensions are in cm. The wash unit should be fixed to the floor (minimum diameter of 8mm dowels) , as specified by modern international safety regulations. It is necessary to provide easy access to the power supply to provide for a possible detachment in case of need. The producer will not accept any responsibility for eventual damage to objects and/or people caused by incorrect installation of the plumbing and electric system.