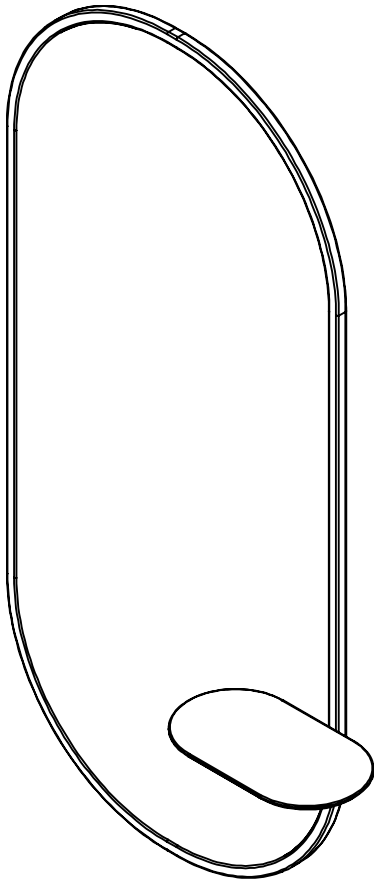


onyx salon mirror

#8124

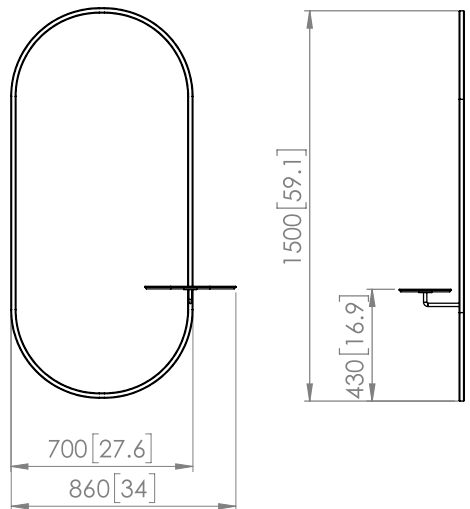
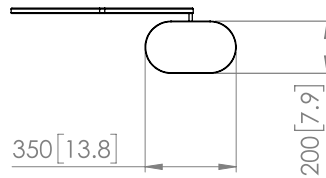
ONYX SALON MIRROR



GET STARTED

ONYX

Salon Mirror with Glass Floating Bench





IMPORTANT PLEASE READ THESE SAFETY INSTRUCTIONS

GENERAL SAFETY

1. Read carefully and keep these instructions in a safe place.
2. Use this product only for its intended function and do not use attachments not recommended by the manufacturer.
3. Do not use outdoors.



IMPORTANT

WALL FIXINGS NOT SUPPLIED. PLEASE REFER TO MIRROR WEIGHT WHEN INSTALLING TO DETERMINE BEST PRACTICE MOUNTING. WALL STUDS AND NOGGINS ARE NOT REQUIRED WHEN INSTALLING MIRRORS



PLEASE USE CORRECT FIXTURES FOR MOUNTING BASED ON WALL TYPE. NO RESPONSIBILITY IS ACCEPTED FOR ANY DAMAGE OR INJURY CAUSED BY INCORRECT MOUNTING.

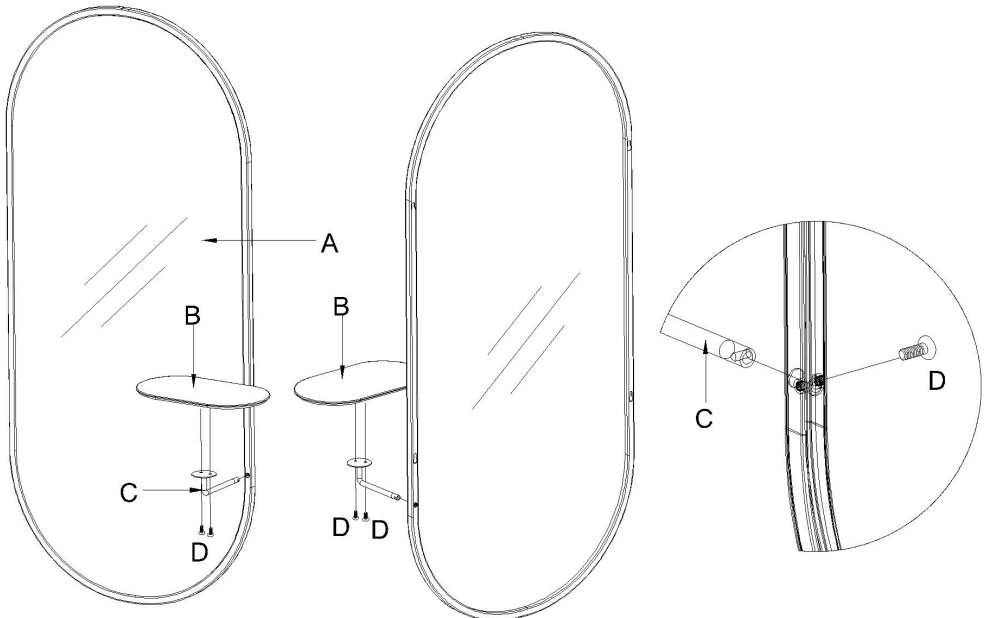
ASSEMBLY

For installation you will need:



NO.	DESCRIPTION	Q'ty
A		1
B		1
C		1

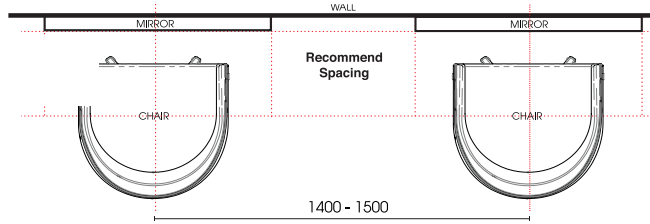
NO.	DESCRIPTION	Q'ty
D	Ø1/4"x3/8"	3
E	M4	1



INSTALLATION: RECOMMENDED WALL MOUNTING

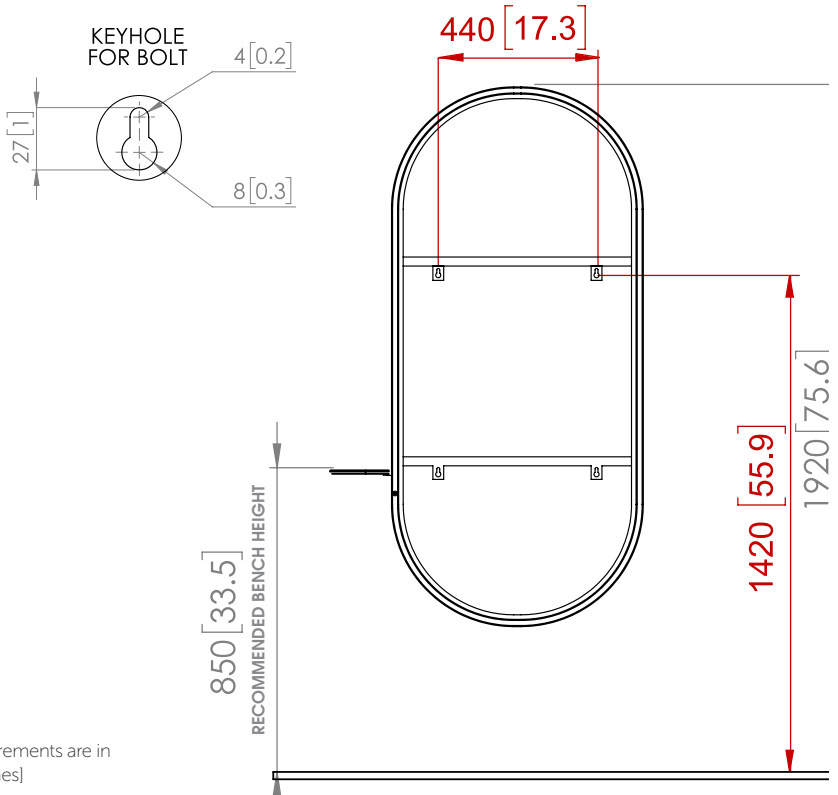
POSITION

Footprint : Floor View



POSITION

Wall Back



All measurements are in mm [*inches]

BEFORE INSTALLING YOU SHOULD CONSIDER THE FOLLOWING:

Allow for the necessary room for free movement.

MOUNTING TO WALL

1. Position frame as pictured
2. Using fixings (Not supplied), secure frame to wall



IMPORTANT

WALL FIXINGS NOT SUPPLIED. PLEASE REFER TO MIRROR WEIGHT WHEN INSTALLING TO DETERMINE BEST PRACTICE MOUNTING. WALL STUDS AND NOGGINS ARE NOT REQUIRED WHEN INSTALLING MIRRORS



PLEASE USE CORRECT FIXTURES FOR MOUNTING BASED ON WALL TYPE. NO RESPONSIBILITY IS ACCEPTED FOR ANY DAMAGE OR INJURY CAUSED BY INCORRECT MOUNTING.

CLEANING

CLEANING THE GLASS / MIRROR:

- Mist the entire surface of the mirror with an everyday glass cleaner.
- Avoid soaking the mirror which will add to the time for this job.
- To avoid streaks use a microfiber cloth and wipe down the mirror in zig zag motions
- Continue wiping the mirror until it is dry.

TO CLEAN FRAME:

- To avoid scratching, wipe with soft cloth with warm soapy water or with everyday household cleaners.
- Dry with clean soft cloth (never use abrasive cloth or cleaners stated below)

DO NOT USE:

- hydrocarbons including alcohol
- acetone (unless stated acetone proof eg Manicure Tables)
- furniture polishes
- bleach
- steel wool
- solvent based or abrasive cleaning agents

MAINTENANCE

A periodic inspection of all components and fasteners should be made to ensure that your Comfortel product is structurally intact and functioning properly.

Damaged and broken parts should be replaced and loose fasteners tightened.

All maintenance to be carried out by a suitably qualified tradesperson.

comfortel

help.comfortel.com.au

PRODUCT CODE

#8124 ONYX SALON MIRROR

Revision Date: 25.09.2024

©Comfortel Furniture. All rights are reserved. No part of this document may be photocopied, reproduced or translated to another language without written consent of Comfortel Furniture Pty Ltd.

The information contained in this document is subject to change without notice and should not be construed as a commitment by Comfortel Furniture Pty Ltd.

Comfortel Furniture Pty Ltd. assumes no responsibility for any errors that may appear in this document nor does it make expressed or implied warranty of any kind with regard to this material, including, but not limited to, the implied warranties of merchantability and fitness for a particular purpose.

Comfortel Furniture Pty Ltd. shall not be liable for incidental or consequential damages in connection with or arising out of the use of this document and the program material.

PLEASE RETAIN THIS INFORMATION FOR FUTURE REFERENCE

For more information about our products and services, contact us at comfortel.com.au

WARRANTY PERIOD

TERMS AND CONDITIONS. For more information about our warranty, please refer to help.comfortel.com.au

PURCHASE DATE

INVOICE NUMBER

NOTE YOUR PURCHASE DATE & INVOICE NUMBER FOR FUTURE REFERENCE